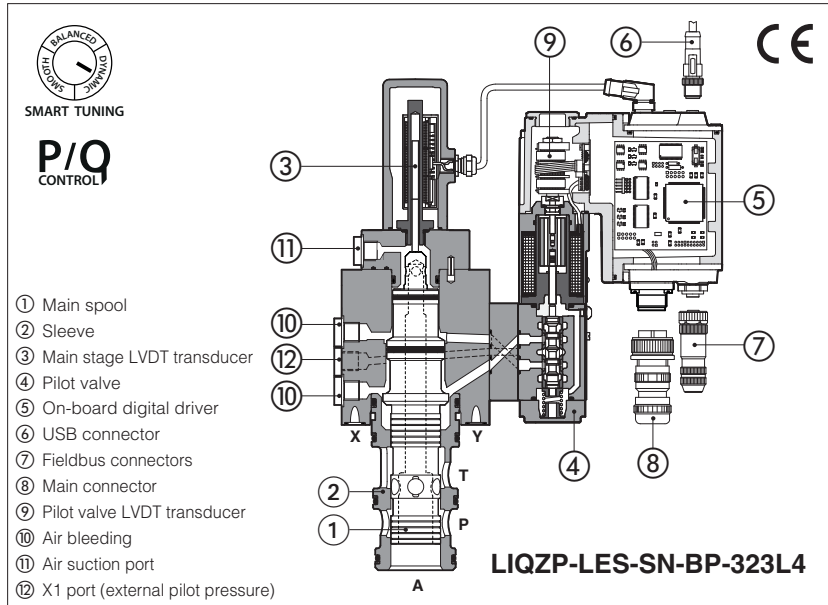


Digital servoproportional 3-way cartridges

piloted, with on-board driver and two LVDT transducers



LIQZP-LEB, LIQZP-LES

Digital servoproportional 3-way cartridges specifically designed for high speed closed loop controls. They are equipped with two LVDT position transducers for best dynamics in directional controls and not compensated flow regulations. The cartridge execution for blocks installation grants high flow capabilities and minimized pressure drops.

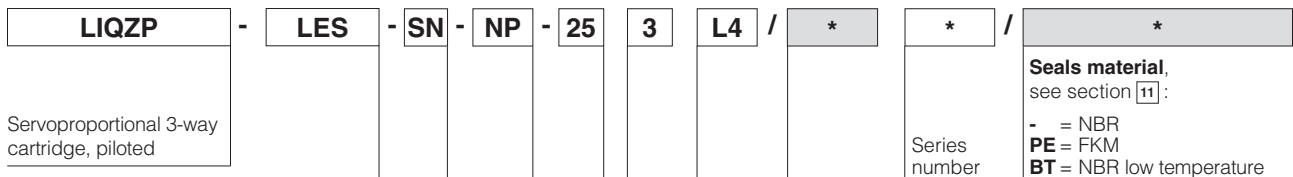
LEB basic execution with analog reference signal or IO-Link interface for valve settings, reference signals and real-time diagnostics.

LES full execution which includes also optional alternated P/Q controls and fieldbus interfaces for valve settings, reference signals and real-time diagnostics.

For both **LEB** and **LES**, USB port is always present for valve settings via Atos PC software.

Size: **25 ÷ 80**
 Max flow: **500 ÷ 5000 l/min**
 Max pressure: **420 bar**

1 MODEL CODE



LEB = basic on-board digital driver
LES = full on-board digital driver

Alternated P/Q controls, see section 7:

SN = none
 Only for LES:
SP = pressure control (1 pressure transducer)
SL = force control (1 load cell)

IO-Link interface, only for LEB, see section 5:

NP = Not present **IL** = IO-Link

Fieldbus interfaces, only for LES, see section 6:

NP = Not present **EW** = POWERLINK
BC = CANopen **EI** = EtherNet/IP
BP = PROFIBUS DP **EP** = PROFINET RT/IRT
EH = EtherCAT

Valve size, see section 9:

Size	25	32	40
l/min	185	330	420
Size	50	63	80
l/min	780	1250	2100

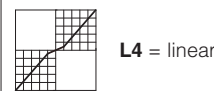
Nominal flow (l/min) at Δp 5 bar

Hydraulic options (1):

A = reversal hydraulic configuration of main spool:
 P-A in rest position

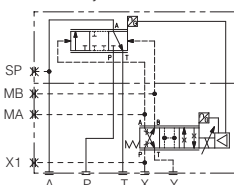
Electronic options (1), not available for LEB-SN-IL:
C = current feedback for pressure transducer 4÷20mA (only for LES-SP, SL)
F = fault signal
I = current reference input and monitor 4÷20mA
Q = enable signal
Z = double power supply (only for LES), enable, fault and monitor signals - 12 pin connector

Spool type, regulating characteristics:

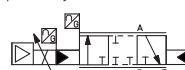


Configuration: 3 = 3 way

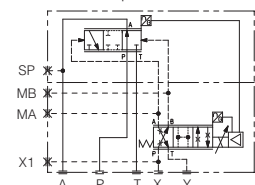
functional symbol: **Standard**



simplified symbol: **Standard**



option **/A**



option **/A**



(1) For possible combined options, see section 15

2 GENERAL NOTES

Atos digital proportionals valves are CE marked according to the applicable directives (e.g. Immunity and Emission EMC Directive). Installation, wirings and start-up procedures must be performed according to the general prescriptions shown in tech table **FS900** and in the user manuals included in the E-SW-* programming software.



WARNING

To avoid overheating and possible damage of the electronic driver, the valves must be never energized without hydraulic supply to the pilot stage. In case of prolonged pauses of the valve operation during the machine cycle, it is always advisable to disable the driver (option /Q or /Z). A safety fuse 2,5 A installed on 24VDC power supply of each valve is always recommended, see also power supply note at sections [17](#).



WARNING

The loss of the pilot pressure causes the undefined position of the main spool.
The sudden interruption of the power supply during the valve operation causes the immediate main spool opening A → T or P → A (for option /A). This could cause pressure surges in the hydraulic system or high decelerations which may lead to machine damages.

3 VALVE SETTINGS AND PROGRAMMING TOOLS

Valve's functional parameters and configurations, can be easily set and optimized using Atos E-SW programming software connected via USB/Bluetooth to the digital driver. For fieldbus/IO-Link versions, the software permits valve's parameterization through USB/Bluetooth also if the driver is connected to the central machine unit via fieldbus/IO-Link.

The software is available in different versions according to the driver's options (see table **GS500**):

E-SW-BASIC support: NP (USB) IL (IO-Link) PS (Serial) IR (Infrared)

E-SW-FIELDBUS support: BC (CANopen) BP (PROFIBUS DP) EH (EtherCAT)
EW (POWERLINK) EI (EtherNet/IP) EP (PROFINET)

E-SW-*/PQ support: valves with SP, SF, SL alternated control (e.g. E-SW-BASIC/PQ)

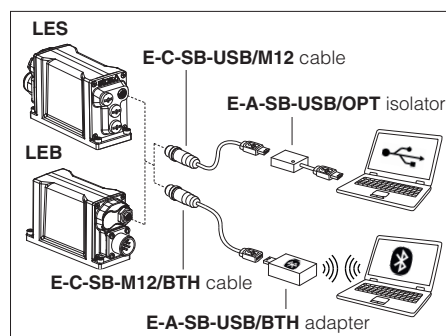


WARNING: drivers USB port is not isolated! For E-C-SB-USB/M12 cable, the use of isolator adapter is highly recommended for PC protection



WARNING: see tech table **GS500** for the list of countries where the Bluetooth adapter has been approved

USB or Bluetooth connection



4 SMART TUNING

Smart tuning allows to adjust the cartridge dynamic response in order to match different performance requirements.

The cartridge is provided with 3 factory settings for the spool control:

- **dynamic** fast response time and high sensitivity for best dynamic performances. Default factory setting for cartridges
- **balanced** average response time and sensitivity suitable for major applications
- **smooth** attenuated response time and sensitivity to improve control stability in critical applications or in environments with electrical disturbances

Smart tuning setting can be switched from Dynamic (default) to Balanced or Smooth via software or fieldbus; if requested, performances can be further customized directly tuning each single control parameter. For details consult related manuals E-MAN-RI-* and Quickstart, see section [25](#).

For Response time and Bode diagrams see section [12](#).

5 IO-LINK - only for LEB, see tech. table **GS520**

IO-Link allows low cost digital communication between the valve and machine central unit. The valve is directly connected to a port of an IO-Link master (point-to-point connection) via low-cost unshielded cables for digital reference, diagnostic and settings. The IO-Link master works as a hub exchanging this information with the machine central unit via fieldbus.

6 FIELDBUS - only for LES, see tech. table **GS510**

Fieldbus allows valve direct communication with machine control unit for digital reference, valve diagnostics and settings. These execution allow to operate the valves through fieldbus or analog signals available on the main connector.

7 ALTERNATED P/Q CONTROLS - only for LES, see tech. table **FS500**

S* options add the closed loop control of pressure (**SP**) or force (**SL**) to the basic functions of proportional directional valves flow regulation. A dedicated algorithm alternates pressure (force) depending on the actual hydraulic system conditions.

An additional connector is available for transducers to be interfaced to the valve's driver (1 pressure transducer for SP or 1 load cell for SL). The alternated pressure control (SP) is possible only for specific installation conditions.

Main 12 pin connector is the same as /Z option plus two analog signals specific for the pressure (force) control.

8 GENERAL CHARACTERISTICS

Assembly position	Any position
Subplate surface finishing to ISO 4401	Acceptable roughness index: Ra ≤0,8, recommended Ra 0,4 – Flatness ratio 0,01/100
MTTFd valves according to EN ISO 13849	75 years, for further details see technical table P007
Ambient temperature range	Standard = -20°C ÷ +60°C /PE option = -20°C ÷ +60°C /BT option = -40°C ÷ +60°C
Storage temperature range	Standard = -20°C ÷ +70°C /PE option = -20°C ÷ +70°C /BT option = -40°C ÷ +70°C
Surface protection	Zinc coating with black passivation, galvanic treatment (driver housing)
Corrosion resistance	Salt spray test (EN ISO 9227) > 200 h
Vibration resistance	See technical table G004
Compliance	CE according to EMC directive 2014/30/EU (Immunity: EN 61000-6-2; Emission: EN 61000-6-3) RoHS Directive 2011/65/EU as last update by 2015/863/EU REACH Regulation (EC) n°1907/2006

9 HYDRAULIC CHARACTERISTICS - based on mineral oil ISO VG 46 at 50 °C

Size	25	32	40	50	63	80
Nominal flow Δp P-A or A-T [l/min]						
Δp = 5 bar	185	330	420	780	1250	2100
Δp = 10 bar	260	470	590	1100	1750	3000
Max permissible flow	500	850	1050	2000	3100	5000
Max pressure [bar]	Ports P, A, T = 420 X = 350 Y ≤ 10					
Nominal flow of pilot valve at Δp = 70 bar [l/min]	4	8	28	40	100	100
Leakage of pilot valve at P = 100 bar [l/min]	0,2	0,2	0,5	0,7	0,7	0,7
Piloting pressure [bar]	min: 40% of system pressure max 350 recommended 140 ÷ 160					
Piloting volume [cm³]	2,16	7,2	8,9	17,7	33,8	42,7
Piloting flow (1) [l/min]	6,5	20	25	43	68	76
Response time 0 ÷ 100% step signal (2) [ms]	21	22	22	25	30	34
Hysteresis [% of the max regulation]	≤ 0,1					
Repeatability [% of the max regulation]	± 0,1					
Thermal drift	zero point displacement < 1% at ΔT = 40°C					

(1) With step reference input 0÷100%

(2) With pilot pressure = 140 bar, see detailed diagrams in section 12.2

10 ELECTRICAL CHARACTERISTICS

Power supplies	Nominal : +24 VDC Rectified and filtered : VRMS = 20 ÷ 32 VMAX (ripple max 10 % VPP)				
Max power consumption	50 W				
Max. solenoid current	2,6 A				
Coil resistance R at 20°C	3 ÷ 3,3 Ω				
Analog input signals	Voltage: range ±10 Vdc (24 VMAX tollerant) Current: range ±20 mA		Input impedance: Ri > 50 kΩ Input impedance: Ri = 500 Ω		
Monitor outputs	Output range: voltage ±10 VDC @ max 5 mA current ±20 mA @ max 500 Ω load resistance				
Enable input	Range: 0 ÷ 5 VDC (OFF state), 9 ÷ 24 VDC (ON state), 5 ÷ 9 Vdc (not accepted); Input impedance: Ri > 10 kΩ				
Fault output	Output range: 0 ÷ 24 Vdc (ON state > [power supply - 2 V] ; OFF state < 1 V) @ max 50 mA; external negative voltage not allowed (e.g. due to inductive loads)				
Pressure/Force transducer power supply (only for SP, SL)	+24VDC @ max 100 mA (E-ATR-8 see tech table GS465)				
Alarms	Solenoid (not connected/short circuit, cable break with current reference signal, over/under temperature, valve spool transducer malfunctions, alarms history storage function)				
Insulation class	H (180°) Due to the occuring surface temperatures of the solenoid coils, the European standards ISO 13732-1 and EN982 must be taken into account				
Protection degree to DIN EN60529	IP66 / IP67 with mating connectors				
Duty factor	Continuous rating (ED=100%)				
Tropicalization	Tropical coating on electronics PCB				
Additional characteristics	Short circuit protection of solenoid's current supply; 3 leds for diagnostic (only for LES); spool position control (SN) or pressure/force control (SP, SL) by P.I.D. with rapid solenoid switching; protection against reverse polarity of power supply				
Communication interface	USB Atos ASCII coding	IO-Link Interface and System Specification 1.1.3	CANopen EN50325-4 + DS408	PROFIBUS DP EN50170-2/IEC61158	EtherCAT POWERLINK EtherNet/IP PROFINET IO RT/IRT IEC 61158
Communication physical layer	not insulated USB 2.0 + USB OTG	SDCI class port B	optical insulated CAN ISO11898	optical insulated RS485	Fast Ethernet, insulated 100 Base TX
Recommended wiring cable	LiYCY shielded cables, see section 21				

Note: a maximum time of 800 ms (depending on communication type) have be considered between the driver energizing with the 24 Vdc power supply and when the valve is ready to operate. During this time the current to the valve coils is switched to zero.

11 SEALS AND HYDRAULIC FLUIDS - for other fluids not included in below table, consult our technical office

Seals, recommended fluid temperature	NBR seals (standard) = -20°C ÷ +60°C, with HFC hydraulic fluids = -20°C ÷ +50°C FKM seals (/PE option) = -20°C ÷ +80°C NBR low temp. seals (/BT option) = -40°C ÷ +60°C, with HFC hydraulic fluids = -20°C ÷ +50°C		
Recommended viscosity	20 ÷ 100 mm ² /s - max allowed range 15 ÷ 380 mm ² /s		
Max fluid contamination level	normal operation	ISO4406 class 18/16/13	NAS1638 class 7
	longer life	ISO4406 class 16/14/11	NAS1638 class 5
			see also filter section at www.atos.com or KTF catalog
Hydraulic fluid	Suitable seals type	Classification	Ref. Standard
Mineral oils	NBR, FKM, NBR low temp.	HL, HLP, HLPD, HVLP, HVLPD	DIN 51524
Flame resistant without water	FKM	HFDU, HFDR	ISO 12922
Flame resistant with water	NBR, NBR low temp.	HFC	

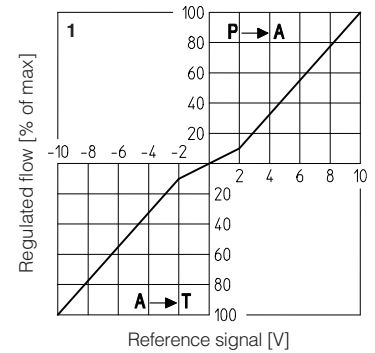
12 DIAGRAMS (based on mineral oil ISO VG 46 at 50 °C)

12.1 Regulation diagrams, see note

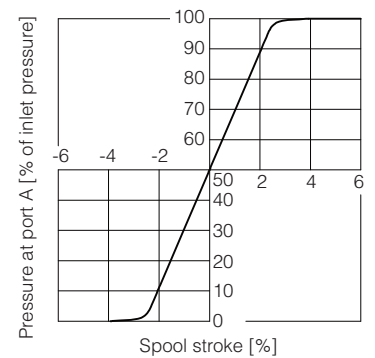
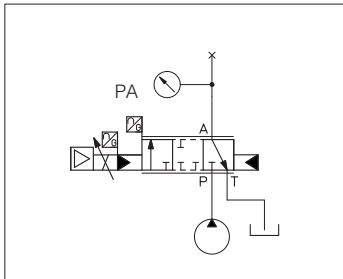
1 = LIQZP

Hydraulic configuration vs. reference signal:

	standard	option /A
Reference signal 0 ÷ +10 V	} P → A	A → T
12 ÷ 20 mA		
Reference signal 0 ÷ -10 V	} A → T	P → A
4 ÷ 12 mA		

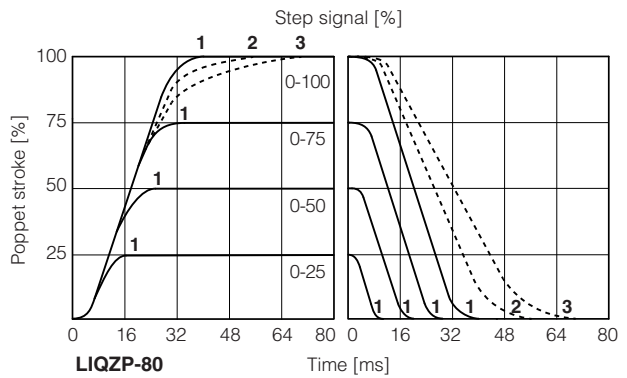
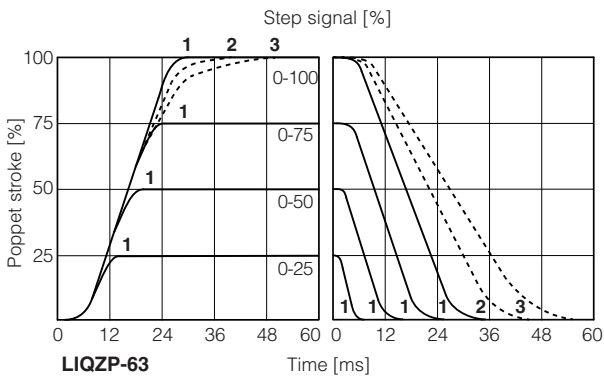
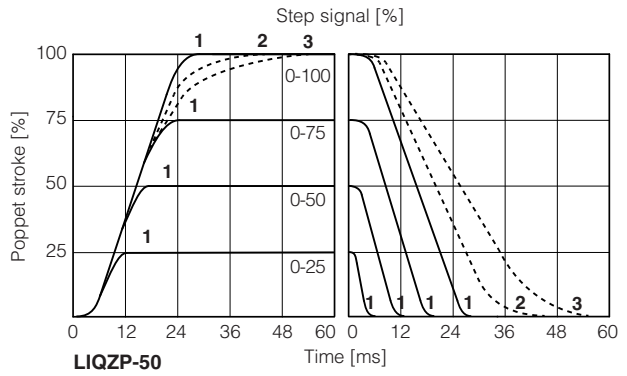
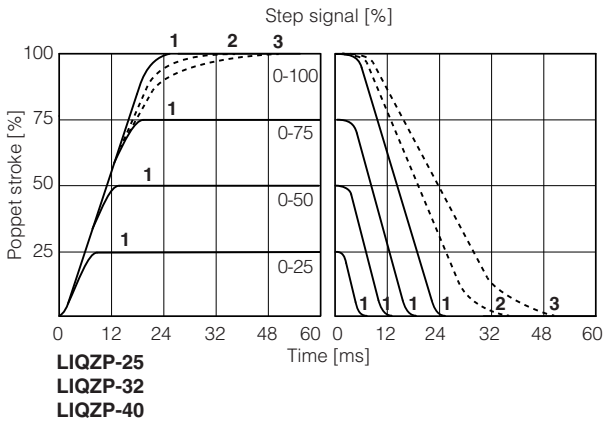


12.2 Pressure gain diagram



12.3 Response time

The response times in below diagrams are measured at different steps of the reference input signal. They have to be considered as average values.



1 = dynamic 2 = balanced (*) 3 = smooth (*)

(*) Response time is represented only for 0-100% step; for intermediate steps, the response time increment of presets 2 (balanced) and 3 (smooth) with respect to the preset 1 (dynamic) is proportional to the step amplitude of the reference input signal

12.4 Bode diagrams LIQZP-L⁺-253L4

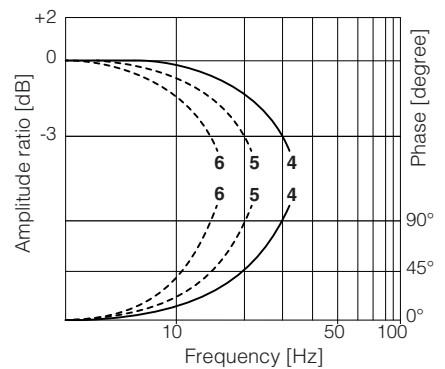
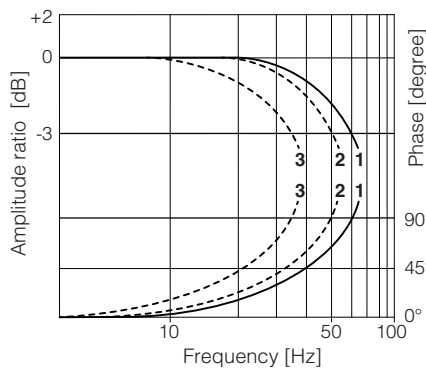
Stated at nominal hydraulic conditions

± 5% nominal stroke:

- 1 = dynamic
- 2 = balanced
- 3 = smooth

± 100% nominal stroke:

- 4 = dynamic
- 5 = balanced
- 6 = smooth



12.5 Bode diagrams LIQZP-L⁺-323L4

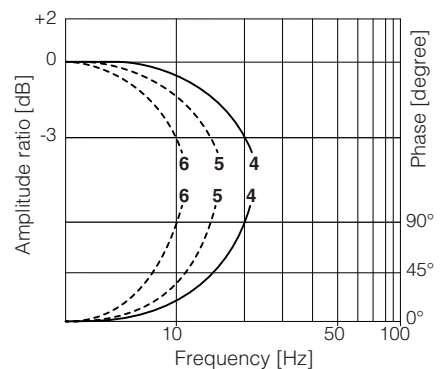
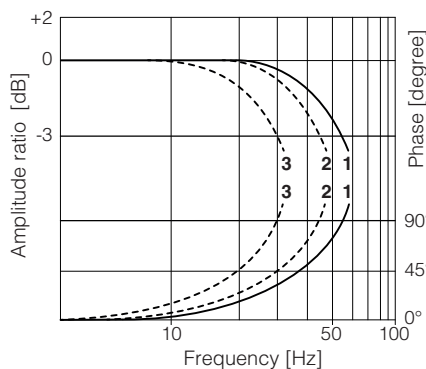
Stated at nominal hydraulic conditions

± 5% nominal stroke:

- 1 = dynamic
- 2 = balanced
- 3 = smooth

± 100% nominal stroke:

- 4 = dynamic
- 5 = balanced
- 6 = smooth



12.6 Bode diagrams LIQZP-L*-403L4

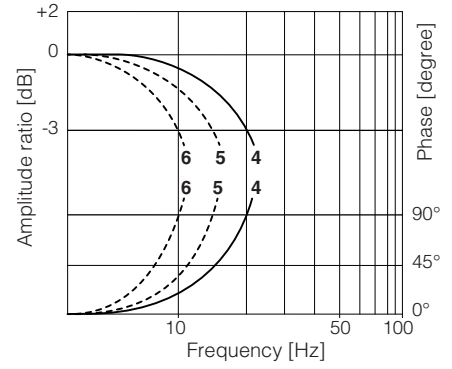
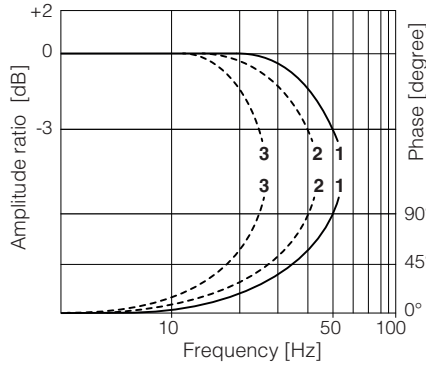
Stated at nominal hydraulic conditions

± 5% nominal stroke:

- 1 = dynamic
- 2 = balanced
- 3 = smooth

± 100% nominal stroke:

- 4 = dynamic
- 5 = balanced
- 6 = smooth



12.7 Bode diagrams LIQZP-L*-503L4

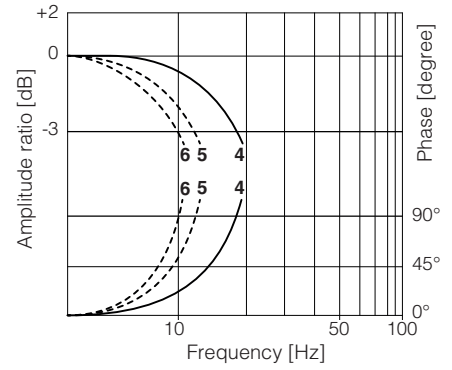
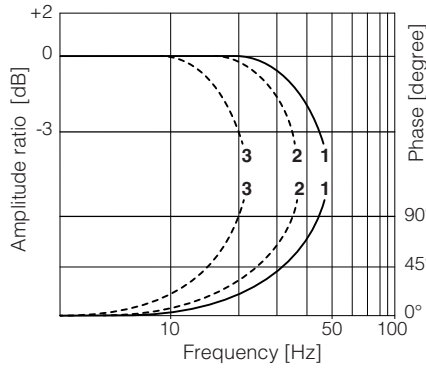
Stated at nominal hydraulic conditions

± 5% nominal stroke:

- 1 = dynamic
- 2 = balanced
- 3 = smooth

± 100% nominal stroke:

- 4 = dynamic
- 5 = balanced
- 6 = smooth



12.8 Bode diagrams LIQZP-L*-633L4

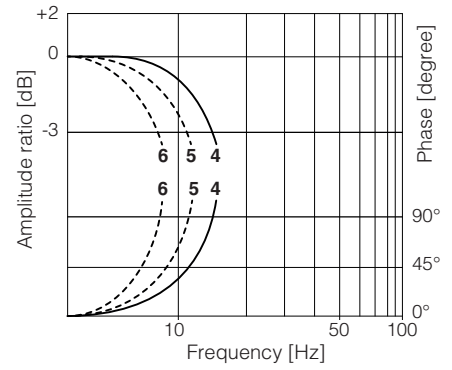
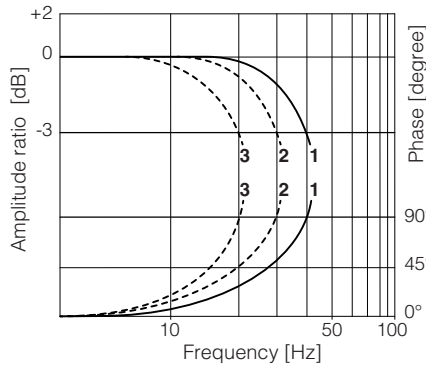
Stated at nominal hydraulic conditions

± 5% nominal stroke:

- 1 = dynamic
- 2 = balanced
- 3 = smooth

± 100% nominal stroke:

- 4 = dynamic
- 5 = balanced
- 6 = smooth



12.9 Bode diagrams LIQZP-L*-803L4

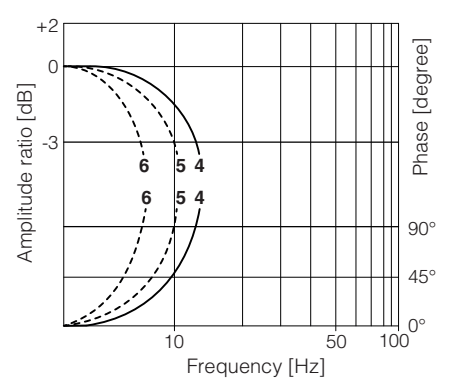
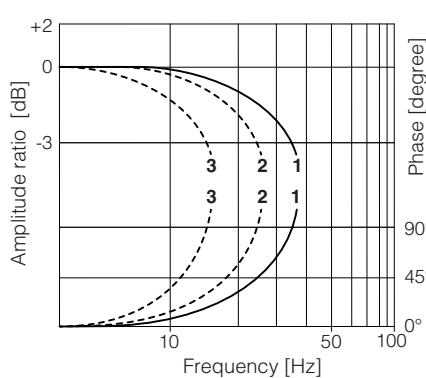
Stated at nominal hydraulic conditions

± 5% nominal stroke:

- 1 = dynamic
- 2 = balanced
- 3 = smooth

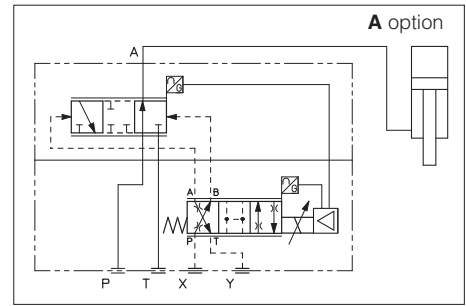
± 100% nominal stroke:

- 4 = dynamic
- 5 = balanced
- 6 = smooth



13 HYDRAULIC OPTIONS

- A** = The standard valve version provides the hydraulic configuration A-T of main spool in absence of electric power supply to the valve.
 The option /A provides the reverse configuration P-A of main spool in absence of electric power supply to the valve.
 This execution is particularly requested in vertical presses for safety reasons, because in case of electric power breakdown the P-A configuration of the main spool prevents the uncontrolled and dangerous downstroke of the press ram.



14 ELECTRONICS OPTIONS - not available for LEB-SN-IL

- F** = This option permits to monitor the eventual fault condition of the driver, as for example the solenoid short circuit/not connected, reference signal cable broken for option /I, spool position transducer broken, etc. - see 17.9 for signal specifications.
- I** = This option provides 4 ÷ 20 mA current reference and monitor signals, instead of the standard 0 ÷ 10 VDC.
 Input signal can be reconfigured via software selecting between voltage and current, within a maximum range of ±10 VDC or ±20 mA.
 It is normally used in case of long distance between the machine control unit and the valve or where the reference signal can be affected by electrical noise; the valve functioning is disabled in case of reference signal cable breakage.
- Q** = This option permits to inhibit the valve function without removing the power supply to the driver. Upon disable command the current to the solenoid is zeroed and the valve's spool moves to rest position.
 The option /Q is suggested for all cases where the valve has to be frequently inhibited during the machine cycle - see 17.7 for signal specifications.
- Z** = This option provides, on the 12 pin main connector, the following additional features:
Fault output signal - see above option /F
Enable input signal - see above option /Q
Repeat enable output signal - only for LEB-SN-NP (see 17.8)
Power supply for driver's logics and communication - only for LES (see 17.9)
- C** = This option is available to connect pressure (force) transducers with 4 ÷ 20 mA current output signal, instead of the standard ±10 VDC.
 Input signal can be reconfigured via software selecting between voltage and current, within a maximum range of ±10 VDC or ±20 mA.

15 POSSIBLE COMBINED OPTIONS

LEB-SN-NP, LES-SN

/AF, /AI, /AQ, /AZ, /FI, /IQ, /IZ, /AFI, /AIQ, /AIZ

LES-SP, SL

/AC, /CI, /ACI

16 AIR BLEEDING

Size 25

Size 32 ÷ 50

Sizes 63 ÷ 80

- 1 **Plugged port - do not open**
- 2 **Air bleeding (MA, MB):**
 N° 2 plugs G1/4"
 At the machine commissioning it is advisable to bleed the air from piloting chambers, by loosening the 2 plugs shown in the picture.
 Operate the valve for few seconds at low pressure and then lock the plugs.
- 3 **External pilot pressure (X1):**
 N° 1 plug G1/4"

17 POWER SUPPLY AND SIGNALS SPECIFICATIONS

Generic electrical output signals of the valve (e.g. fault or monitor signals) must not be directly used to activate safety functions, like to switch-ON/OFF the machine's safety components, as prescribed by the European standards (Safety requirements of fluid technology systems and components-hydraulics, ISO 4413).

For **LEB-SN-NP** signals see section 18

17.1 Power supply (V+ and V0)

The power supply must be appropriately stabilized or rectified and filtered: apply at least a 10000 μ F/40 V capacitance to single phase rectifiers or a 4700 μ F/40 V capacitance to three phase rectifiers. In case of separate power supply see 17.2.



A safety fuse is required in series to each power supply: 2,5 A time lag fuse.

17.2 Power supply for driver's logic and communication (VL+ and VL0) - only for LES with /Z option and for LES-SP, SL with fieldbus

The power supply for driver's logic and communication must be appropriately stabilized or rectified and filtered: apply at least a 10000 μ F/40 V capacitance to single phase rectifiers or a 4700 μ F/40 V capacitance to three phase rectifiers.

The separate power supply for driver's logic on pin 9 and 10, allow to remove solenoid power supply from pin 1 and 2 maintaining active the diagnostics, USB and fieldbus communications.



A safety fuse is required in series to each driver's logic and communication power supply: 500 mA fast fuse.

17.3 Flow reference input signal (Q_INPUT+)

The driver controls in closed loop the valve spool position proportionally to the external reference input signal.

Reference input signal is factory preset according to selected valve code, defaults are 0 \div 10 Vdc for standard and 4 \div 20 mA for /I option.

Input signal can be reconfigured via software selecting between voltage and current, within a maximum range of \pm 10 Vdc or \pm 20 mA.

Drivers with fieldbus interface can be software set to receive reference signal directly from the machine control unit (fieldbus reference).

Analog reference input signal can be used as on-off commands with input range 0 \div 24Vdc.

17.4 Pressure or force reference input signal (F_INPUT+) - only for LES-SP, SL

Functionality of F_INPUT+ signal (pin 7), is used as reference for the driver pressure/force closed loop (see tech. table **FS500**).

Reference input signal is factory preset according to selected valve code, defaults are 0 \div 10 Vdc for standard and 4 \div 20 mA for /I option.

Input signal can be reconfigured via software selecting between voltage and current, within a maximum range of \pm 10 Vdc or \pm 20 mA.

Drivers with fieldbus interface can be software set to receive reference signal directly by the machine control unit (fieldbus reference).

Analog reference input signal can be used as on-off commands with input range 0 \div 24Vdc.

17.5 Flow monitor output signal (Q_MONITOR) - not for /F

The driver generates an analog output signal proportional to the actual spool position of the valve; the monitor output signal can be software set to show other signals available in the driver (e.g. analog reference, fieldbus reference, pilot spool position).

Monitor output signal is factory preset according to selected valve code, defaults are \pm 10 Vdc for standard and 4 \div 20 mA for /I option.

Output signal can be reconfigured via software selecting between voltage and current, within a maximum range of \pm 10 Vdc or \pm 20 mA.

17.6 Pressure or force monitor output signal (F_MONITOR) - only for LES-SP, SL

The driver generates an analog output signal proportional to alternated pressure/force control; the monitor output signal can be software set to show other signals available in the driver (e.g. analog reference, force reference).

Monitor output signal is factory preset according to selected valve code, defaults are 0 \div 10 Vdc for standard and 4 \div 20 mA for /I option.

Output signal can be reconfigured via software selecting between voltage and current, within a maximum range of \pm 10 Vdc or \pm 20 mA.

17.7 Enable input signal (ENABLE) - not for standard and /F

To enable the driver, supply a 24 Vdc on pin 3 (pin C): Enable input signal allows to enable/disable the current supply to the solenoid, without removing the electrical power supply to the driver; it is used to active the communication and the other driver functions when the valve must be disabled for safety reasons. This condition **does not comply** with norms IEC 61508 and ISO 13849.

Enable input signal can be used as generic digital input by software selection.

17.8 Repeat enable output signal (R_ENABLE) - only for LEB-SN-NP with /Z option

Repeat enable is used as output repeater signal of enable input signal (see 17.7).

17.9 Fault output signal (FAULT) - not for standard and /Q

Fault output signal indicates fault conditions of the driver (solenoid short circuits/not connected, reference signal cable broken for 4 \div 20 mA input, spool position transducer cable broken, etc.). Fault presence corresponds to 0 Vdc, normal working corresponds to 24 Vdc.

Fault status is not affected by the Enable input signal. Fault output signal can be used as digital output by software selection.

17.10 Remote pressure/force transducer input signal - only for LES-SP, SL

Analog remote pressure transducers or load cell can be directly connected to the driver (see 19.5).

Analog input signal is factory preset according to selected valve code, defaults are \pm 10 Vdc for standard and 4 \div 20 mA for /C option.

Input signal can be reconfigured via software selecting between voltage and current, within a maximum range of \pm 10 Vdc or \pm 20 mA.

Refer to pressure/force transducer characteristics to select the transducer type according to specific application requirements (see tech table **FS500**).

17.11 Multiple PID selection (D_IN0 and D_IN1) - only NP execution for LES-SP, SL

Two on-off input signals are available on the main connector to select one of the four pressure (force) PID parameters setting, stored into the driver.

Switching the active setting of pressure PID during the machine cycle allows to optimize the system dynamic response in different hydraulic working conditions (volume, flow, etc.).

Supply a 24 Vdc or a 0 Vdc on pin 9 and/or pin 10, to select one of the PID settings as indicated by binary code table at side. Gray code can be selected by software.

	PID SET SELECTION			
PIN	SET 1	SET 2	SET 3	SET 4
9	0	24 Vdc	0	24 Vdc
10	0	0	24 Vdc	24 Vdc

18 IO-LINK SIGNALS SPECIFICATIONS - only for LEB-SN-IL

18.1 Power supply for IO-Link communication (L+ and L-)

The IO-Link master provides dedicated 24 Vdc power supply for IO-Link communication.

Maximum power consumption: 2 W

Internal electrical isolation of power L+, L- from P24, N24

18.2 Power supply for drive logic and valve regulation (P24 and N24)

The IO-Link master provides dedicated 24 Vdc power supply for valve regulation, logics and diagnostics.

Maximum power consumption: 50 W

Internal electrical isolation of power P24, N24 from L+, L-

18.3 IO-Link data line (C/Q)

C/Q signal is used to establish communication between IO-Link master and valve.

19 ELECTRONIC CONNECTIONS

19.1 Main connector signals - 7 pin - standard, /F and /Q options (A1)

PIN	Standard	/Q	/F	TECHNICAL SPECIFICATIONS	NOTES
A	V+			Power supply 24 Vdc	Input - power supply
B	V0			Power supply 0 Vdc	Gnd - power supply
C	AGND		AGND	Analog ground	Gnd - analog signal
		ENABLE		Enable (24 Vdc) or disable (0 Vdc) the valve, referred to V0	Input - on/off signal
D	Q_INPUT+			Flow reference input signal: ± 10 Vdc / ± 20 mA maximum range Defaults are 0 \div 10 Vdc for standard and 4 \div 20 mA for /I option	Input - analog signal Software selectable
E	INPUT-			Negative reference input signal for Q_INPUT+	Input - analog signal
F	Q_MONITOR referred to: AGND	V0		Flow monitor output signal: ± 10 Vdc / ± 20 mA maximum range Defaults are 0 \div 10 Vdc for standard and 4 \div 20 mA for /I option	Output - analog signal Software selectable
			FAULT	Fault (0 Vdc) or normal working (24 Vdc)	Output - on/off signal
G	EARTH			Internally connected to the driver housing	

19.2 Main connector signals - 12 pin - /Z option and SP, SL (A2)

PIN	LEB-SN /Z	LES-SN /Z	LES-SP, SL Fieldbus NP		TECHNICAL SPECIFICATIONS	NOTES
1	V+				Power supply 24 Vdc	Input - power supply
2	V0				Power supply 0 Vdc	Gnd - power supply
3	ENABLE referred to: V0	VLO	VLO	V0	Enable (24 Vdc) or disable (0 Vdc) the valve	Input - on/off signal
					Flow reference input signal: ± 10 Vdc / ± 20 mA maximum range Defaults are 0 \div 10 Vdc for standard and 4 \div 20 mA for /I option	Input - analog signal Software selectable
4	Q_INPUT+				Negative reference input signal for Q_INPUT+ and F_INPUT+	Input - analog signal
5	INPUT-				Flow monitor output signal: ± 10 Vdc / ± 20 mA maximum range Defaults are 0 \div 10 Vdc for standard and 4 \div 20 mA for /I option	Output - analog signal Software selectable
6	AGND				Analog ground	Gnd - analog signal
		NC			Do not connect	
7				F_INPUT+	Pressure/Force reference input signal: ± 10 Vdc / ± 20 mA maximum range Defaults are ± 10 Vdc for standard and 4 \div 20 mA for /I option	Input - analog signal Software selectable
	R_ENABLE				Repeat enable, output repeter signal of enable input, referred to V0	Output - on/off signal
8		NC			Do not connect	
				F_MONITOR referred to: VLO	Pressure/Force monitor output signal: ± 10 Vdc / ± 20 mA maximum range Defaults are ± 10 Vdc for standard and 4 \div 20 mA for /I option	Output - analog signal Software selectable
9	NC				Do not connect	
		VL+			Power supply 24 Vdc for driver's logic and communication	Input - power supply
10				D_IN0	Multiple pressure/force PID selection, referred to V0	Input - on/off signal
	NC				Do not connect	
11		VLO			Power supply 0 Vdc for driver's logic and communication	Gnd - power supply
				D_IN1	Multiple pressure/force PID selection, referred to V0	Input - on/off signal
11	FAULT referred to: V0	VLO	VLO	V0	Fault (0 Vdc) or normal working (24 Vdc)	Output - on/off signal
					Internally connected to the driver housing	
PE	EARTH					

Note: do not disconnect VLO before VL+ when the driver is connected to PC USB port

19.3 IO-Link connector signals - M12 - 5 pin - Coding A, port class B (A) only for LEB-SN-IL

PIN	SIGNAL	TECHNICAL SPECIFICATIONS	NOTES
1	L+	Power supply 24 Vdc for IO-Link communication	Input - power supply
2	P24	Power supply 24 Vdc for valve regulation, logics and diagnostics	Input - power supply
3	L-	Power supply 0 Vdc for IO-Link communication	Gnd - power supply
4	C/Q	IO-Link data line	Input / Output - signal
5	N24	Power supply 0 Vdc for valve regulation, logics and diagnostics	Gnd - power supply

Note: L+, L- and P24, N24 are electrically isolated

19.4 Communications connectors (B) - (C)

(B) **USB connector - M12 - 5 pin** always present

PIN	SIGNAL	TECHNICAL SPECIFICATION (1)
1	+5V_USB	Power supply
2	ID	Identification
3	GND_USB	Signal zero data line
4	D-	Data line -
5	D+	Data line +

(C1) (C2) **BC fieldbus execution, connector - M12 - 5 pin**

PIN	SIGNAL	TECHNICAL SPECIFICATION (1)
1	CAN_SHLD	Shield
2	not used	(C1) - (C2) pass-through connection (2)
3	CAN_GND	Signal zero data line
4	CAN_H	Bus line (high)
5	CAN_L	Bus line (low)

(C1) (C2) **BP fieldbus execution, connector - M12 - 5 pin**

PIN	SIGNAL	TECHNICAL SPECIFICATION (1)
1	+5V	Termination supply signal
2	LINE-A	Bus line (high)
3	DGND	Data line and termination signal zero
4	LINE-B	Bus line (low)
5	SHIELD	

(C1) (C2) **EH, EW, EI, EP fieldbus execution, connector - M12 - 4 pin**

PIN	SIGNAL	TECHNICAL SPECIFICATION (1)
1	TX+	Transmitter
2	RX+	Receiver
3	TX-	Transmitter
4	RX-	Receiver
Housing	SHIELD	

(1) Shield connection on connector's housing is recommended

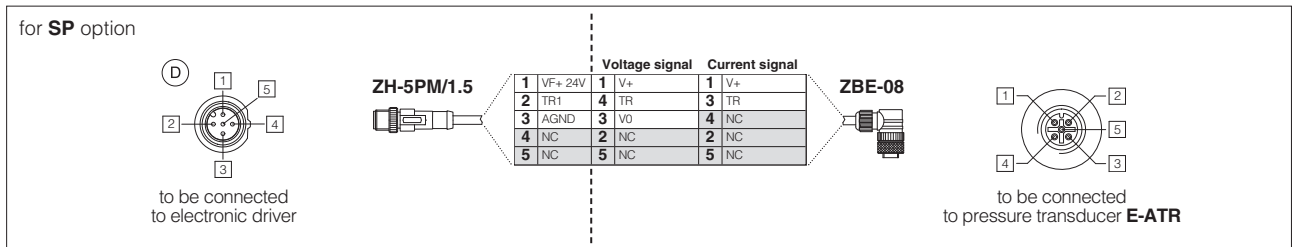
(2) Pin 2 can be fed with external +5V supply of CAN interface

19.5 Remote pressure/force transducer connector - M12 - 5 pin - only for SP, SL (D)

PIN	SIGNAL	TECHNICAL SPECIFICATION	Voltage	Current
1	VF +24V	Power supply +24Vdc	Connect	Connect
2	TR	Signal transducer ± 10 Vdc / ± 20 mA maximum range, software selectable Defaults are ± 10 Vdc for standard and $4 \div 20$ mA for /C option	Connect	Connect
3	AGND	Common GND for transducer power and signals	Connect	/
4	NC	Not Connect	/	/
5	NC	Not Connect	/	/

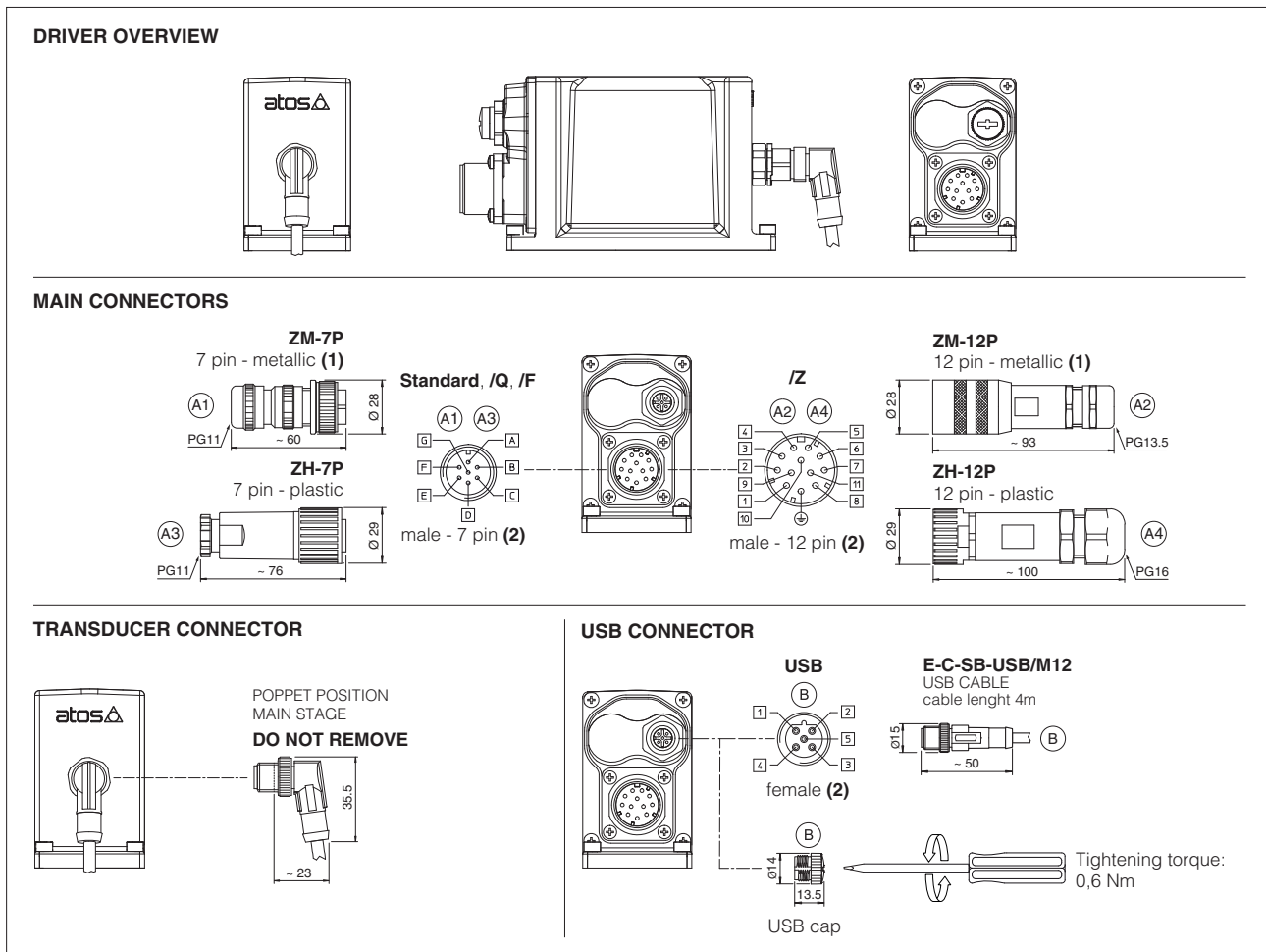
(1) Single/double transducer configuration is software selectable

Remote pressure transducers connection - example



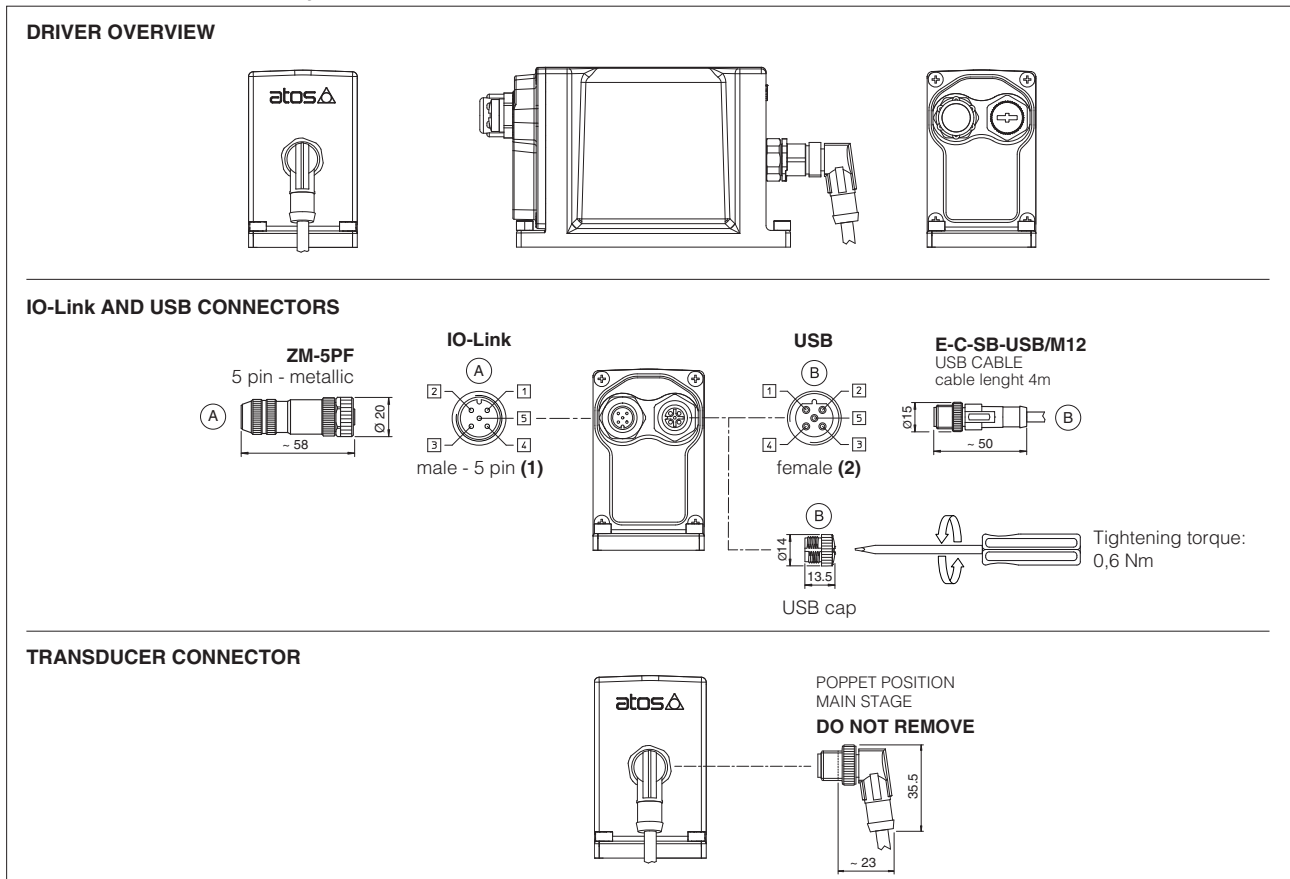
Note: pin layout always referred to driver's view

19.6 LEB-SN-NP connections layout



(1) Use of metallic connectors is strongly recommended in order to fulfill EMC requirements (2) Pin layout always referred to driver's view

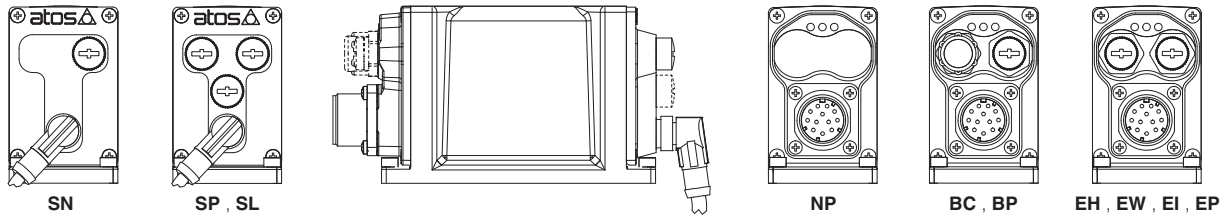
19.7 LEB-SN-IL connections layout



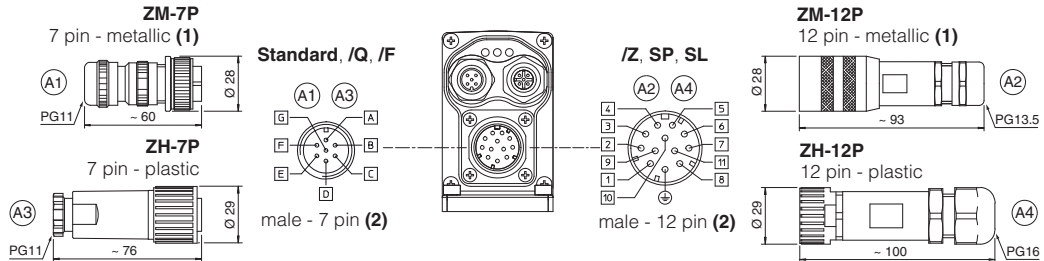
(1) Pin layout always referred to driver's view

19.8 LES connections layout

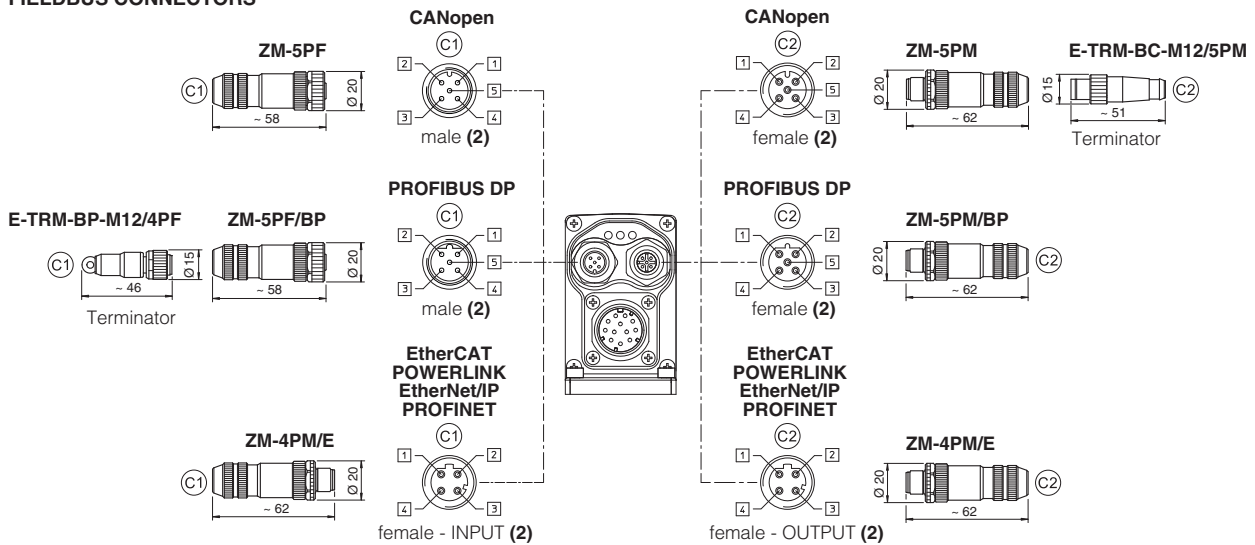
DRIVER OVERVIEW



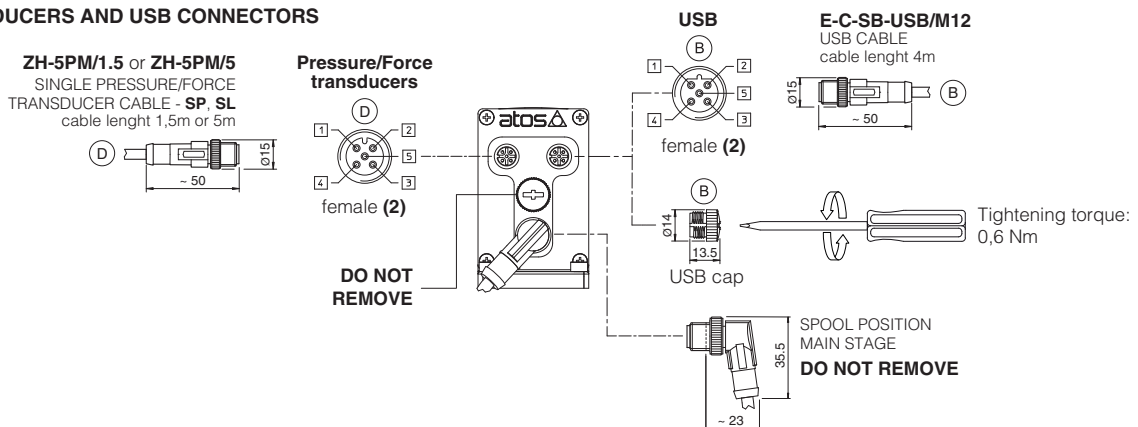
MAIN CONNECTORS



FIELDBUS CONNECTORS



TRANSDUCERS AND USB CONNECTORS



(1) Use of metallic connectors is strongly recommended in order to fulfill EMC requirements (2) Pin layout always referred to driver's view

19.9 Diagnostic LEDs - only for LES

Three leds show driver operative conditions for immediate basic diagnostics. Please refer to the driver user manual for detailed information.

FIELDBUS	NP	BC	BP	EH	EW	EI	EP	
LEDS	Not Present	CANopen	PROFIBUS DP	EtherCAT	POWERLINK	EtherNet/IP	PROFINET	
L1		VALVE STATUS			LINK/ACT			
L2		NETWORK STATUS			NETWORK STATUS			
L3		SOLENOID STATUS			LINK/ACT			

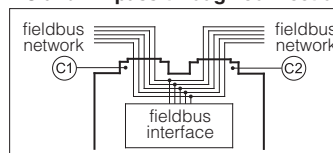
20 IN / OUT FIELDBUS COMMUNICATION CONNECTORS

Two fieldbus communication connectors are always available for digital drivers executions BC, BP, EH, EW, EI, EP. This features allows considerable technical advantages in terms of installation simplicity, wirings reduction and also avoid the usage expensive T-connectors.

For BC and BP executions the fieldbus connectors have an internal pass-through connection and can be used like end point of the fieldbus network, using an external terminator (see tech table **GS500**).

For EH, EW, EI and EP executions the external terminators are not required: each connector is internally terminated.

BC and BP pass-through connection



21 CONNECTORS CHARACTERISTICS - to be ordered separately

21.1 Main connectors - 7 pin

CONNECTOR TYPE	POWER SUPPLY AND SIGNALS	POWER SUPPLY AND SIGNALS
CODE	(A1) ZM-7P	(A3) ZH-7P
Type	7pin female straight circular	7pin female straight circular
Standard	According to MIL-C-5015	According to MIL-C-5015
Material	Metallic	Plastic reinforced with fiber glass
Cable gland	PG11	PG11
Recommended cable	LiYCY 7 x 0,75 mm ² max 20 m (logic and power supply) or LiYCY 7 x 1 mm ² max 40 m (logic and power supply)	LiYCY 7 x 0,75 mm ² max 20 m (logic and power supply) or LiYCY 7 x 1 mm ² max 40 m (logic and power supply)
Conductor size	up to 1 mm ² - available for 7 wires	up to 1 mm ² - available for 7 wires
Connection type	to solder	to solder
Protection (EN 60529)	IP 67	IP 67

21.2 Main connectors - 12 pin

CONNECTOR TYPE	POWER SUPPLY AND SIGNALS	POWER SUPPLY AND SIGNALS
CODE	(A2) ZM-12P	(A4) ZH-12P
Type	12pin female straight circular	12pin female straight circular
Standard	DIN 43651	DIN 43651
Material	Metallic	Plastic reinforced with fiber glass
Cable gland	PG13,5	PG16
Recommended cable	LiYCY 12 x 0,75 mm ² max 20 m (logic and power supply)	LiYCY 10 x 0,14mm ² max 40 m (logic) LiYY 3 x 1mm ² max 40 m (power supply)
Conductor size	0,5 mm ² to 1,5 mm ² - available for 12 wires	0,14 mm ² to 0,5 mm ² - available for 9 wires 0,5 mm ² to 1,5 mm ² - available for 3 wires
Connection type	to crimp	to crimp
Protection (EN 60529)	IP 67	IP 67

21.3 IO-Link connector - only for LEB-SN-IL

CONNECTOR TYPE	IL IO-Link
CODE	(A) ZM-5PF
Type	5pin female straight circular
Standard	M12 coding A – IEC 61076-2-101
Material	Metallic
Cable gland	Pressure nut - cable diameter 6÷8 mm
Recommended cable	5 x 0,75 mm ² max 20 m
Connection type	screw terminal
Protection (EN 60529)	IP 67

21.4 Fieldbus communication connectors

CONNECTOR TYPE	BC CANopen (1)		BP PROFIBUS DP (1)		EH EtherCAT, EW POWERLINK, EI EtherNet/IP, EP PROFINET (2)
CODE	(C1) ZM-5PF	(C2) ZM-5PM	(C1) ZM-5PF/BP	(C2) ZM-5PM/BP	(C1) (C2) ZM-4PM/E
Type	5 pin female straight circular	5 pin male straight circular	5 pin female straight circular	5 pin male straight circular	4 pin male straight circular
Standard	M12 coding A – IEC 61076-2-101		M12 coding B – IEC 61076-2-101		M12 coding D – IEC 61076-2-101
Material	Metallic		Metallic		Metallic
Cable gland	Pressure nut - cable diameter 6÷8 mm		Pressure nut - cable diameter 6÷8 mm		Pressure nut - cable diameter 4÷8 mm
Cable	CANbus Standard (DR 303-1)		PROFIBUS DP Standard		Ethernet standard CAT-5
Connection type	screw terminal		screw terminal		terminal block
Protection (EN 60529)	IP67		IP 67		IP 67

(1) E-TRM-** terminators can be ordered separately - see tech table **GS500**

(2) Internally terminated

21.5 Pressure/Force transducer connectors - only for SP, SL

CONNECTOR TYPE	SP, SL - Single transducer	
CODE	(D) ZH-5PM/1.5	(D) ZH-5PM/5
Type	5 pin male straight circular	
Standard	M12 coding A – IEC 61076-2-101	
Material	Plastic	
Cable gland	Connector moulded on cables 1,5 m lenght	5 m lenght
Cable	5 x 0,25 mm ²	
Connection type	molded cable	
Protection (EN 60529)	IP 67	

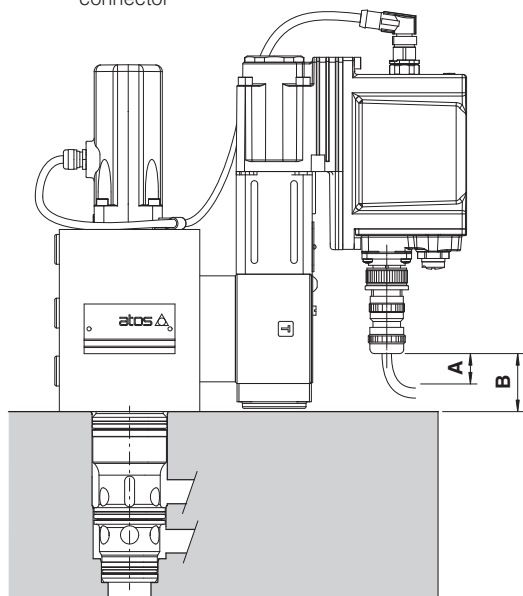
22 FASTENING BOLTS AND VALVE MASS

Type	Size	Fastening bolts (1)	Mass [kg]
LIQZP	25	4 socket head screws M12x100 class 12.9 Tightening torque = 125 Nm	8,8
	32	4 socket head screws M16x60 class 12.9 Tightening torque = 300 Nm	11,2
	40	4 socket head screws M20x70 class 12.9 Tightening torque = 600 Nm	17,3
	50	4 socket head screws M20x80 class 12.9 Tightening torque = 600 Nm	24,6
	63	4 socket head screws M30x120 class 12.9 Tightening torque = 2100 Nm	44,6
	80	8 socket head screws M24x80 class 12.9 Tightening torque = 1000 Nm	72,2

(1) Fastening bolts supplied with the valve

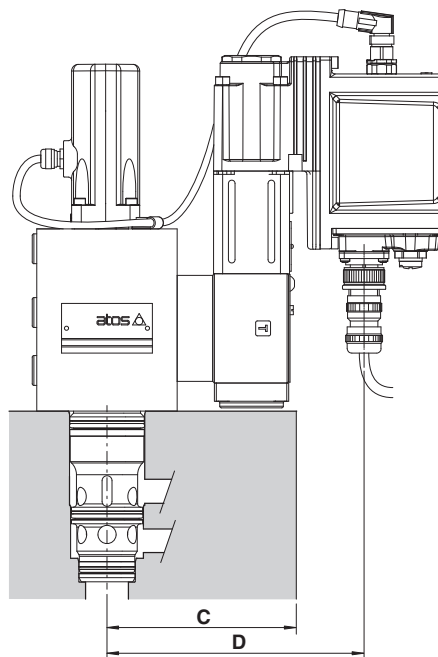
23 MAIN CONNECTORS INSTALLATION DIMENSIONS

Installation 1 - possible interference between manifold and main connector



A = 15 mm space to remove the 7 or 12 pin main connectors
B = Clearance between main connector to valve's mounting surface.
 See the below table to verify eventual interferences, depending to the valve size and connector type

Installation 2 - no interference



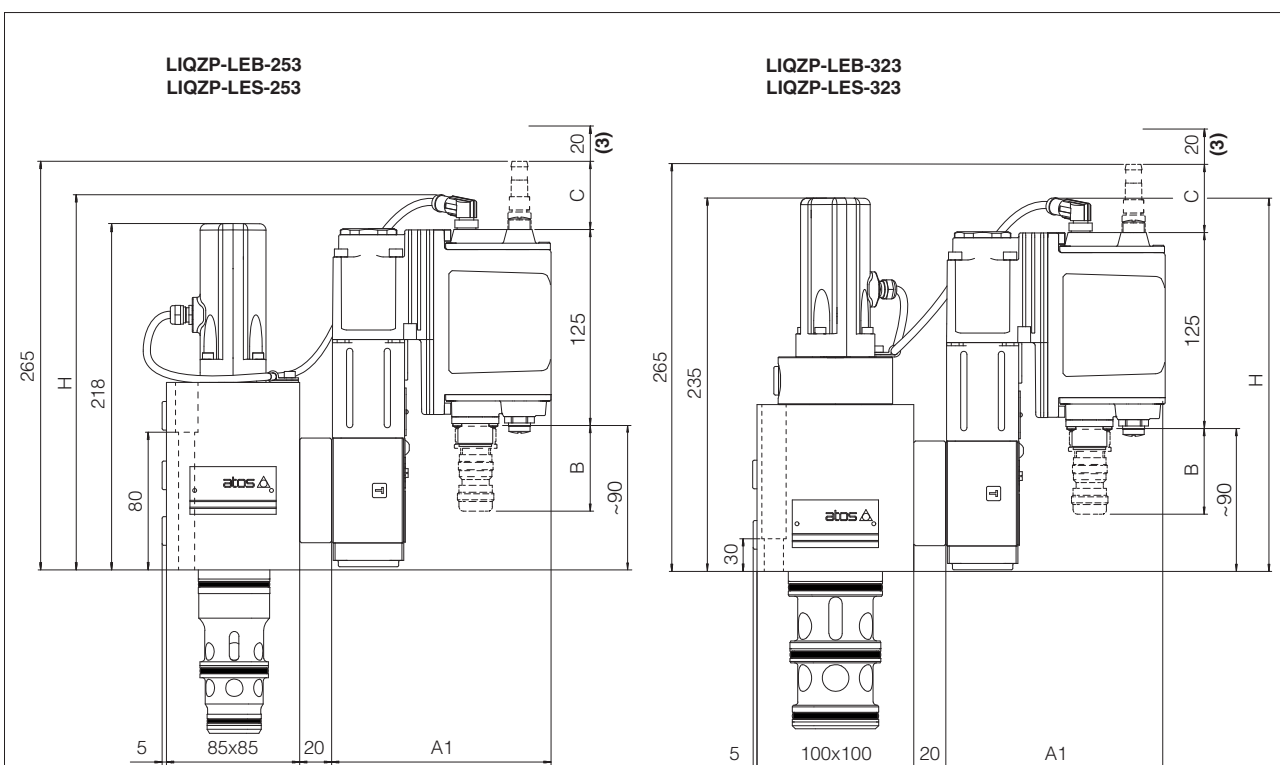
C = Max manifold dimension to avoid interference with the main connector, see below table

Reference dimension	Main connector code	Valve size					
		25	32	40	50	63	80
B	ZM-7P	32	32	32	45	68	68
	ZH-7P	(1)	(1)	(1)	29	52	52
	ZM-12P	(1)	(1)	(1)	(1)	35	35
	ZH-12P	(1)	(1)	(1)	(1)	(1)	(2)
C (max) for standard valve	-	134	141	154	161	192	222
C (max) for /A option	-	114	121	134	141	172	202
D for standard valve	-	154	161	174	181	212	242
D for /A option	-	134	141	154	161	192	222

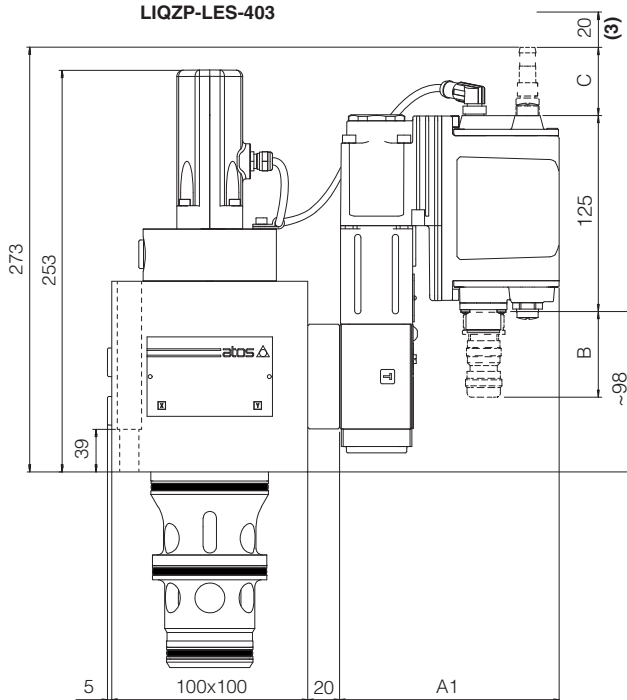
Above dimensions refer to the main connector fully screwed to driver's connector. The space **A** = 15 mm to remove the connector must be considered
(1) The connector installation can be performed only if the valve's driver protrudes from the edge of the relevant mounting manifold as represented in above "Installation 2"

(2) The connector installation may be critic, depending to the cable size and bending radius

24 INSTALLATION DIMENSIONS [mm]



LIQZP-LEB-403
LIQZP-LES-403

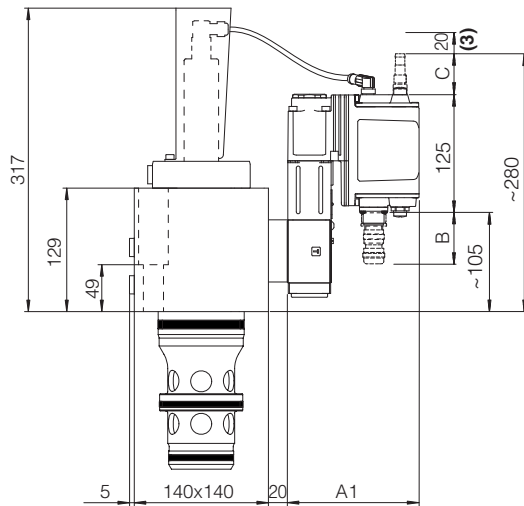


LIQZP	A1	B (1)	C (2)	H
LEB - SN - IL	140	60	-	242
LEB - SN - NP	140	60	-	242
LES - SN - NP, BC, BP, EH	140	60	50	235
LES - SN - EW, EI, EP	155	60	50	235
LES - SP, SF, SL	155	60	50	235

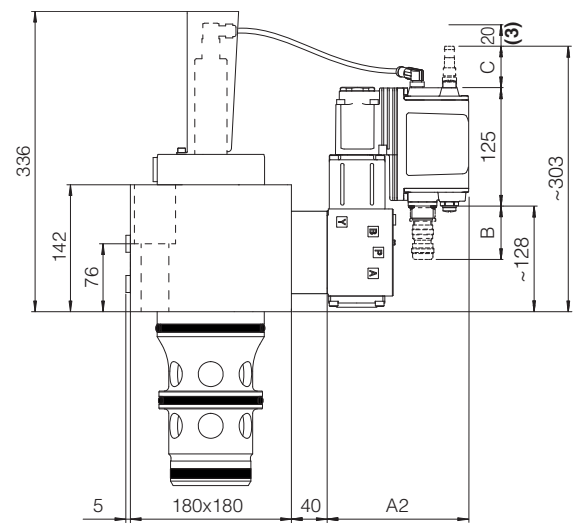
- (1) The indicated dimension refers to the main connector ZM-7P. See section 23 for main connectors installation dimensions
- (2) The indicated dimension refers to the longer main connector. For dimensions of all connectors, see sections 19.6, 19.7 and 19.8
- (3) Space required for connector cable and for connector removal

Note: for mounting surface and cavity dimensions, see table P006

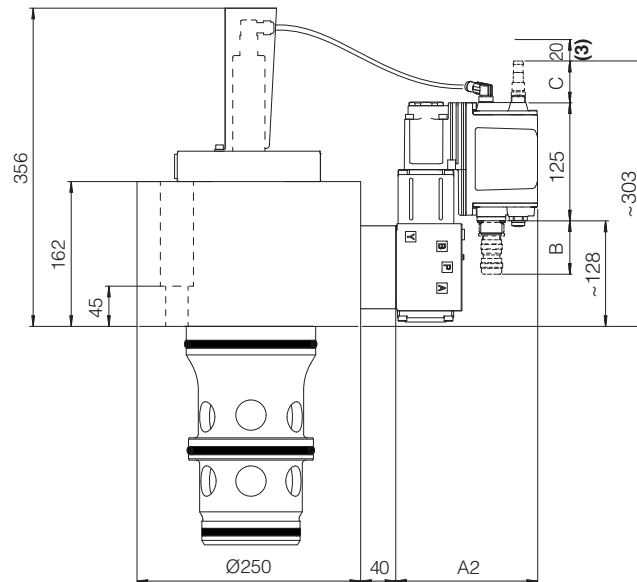
LIQZP-LEB-503
LIQZP-LES-503



LIQZP-LEB-633
LIQZP-LES-633



LIQZP-LEB-803
LIQZP-LES-803



LIQZP	A1	A2	B (1)	C (2)
LEB - SN - IL	140	150	60	-
LEB - SN - NP	140	150	60	-
LES - SN - NP, BC, BP, EH	140	150	60	50
LES - SN - EW, EI, EP	155	165	60	50
LES - SP, SF, SL	155	165	60	50

(1) The indicated dimension refers to the main connector ZM-7P. See section 23 for main connectors installation dimensions

(2) The indicated dimension refers to the longer main connector. For dimensions of all connectors, see sections 19.6, 19.7 and 19.8

(3) Space required for connector cable and for connector removal

Note: for mounting surface and cavity dimensions, see table P006

25 RELATED DOCUMENTATION

FS001	Basics for digital electrohydraulics
FS900	Operating and maintenance information for proportional valves
GS500	Programming tools
GS510	Fieldbus
GS520	IO-Link interface
K800	Electric and electronic connectors

P006	Mounting surfaces and cavities for cartridge valves
QB340	Quickstart for LEB valves commissioning
QF340	Quickstart for LES valves commissioning
E-MAN-RI-LEB	TEB/LEB user manual
E-MAN-RI-LES	TES/LES user manual